

CHIP BEAD

CB TYPE

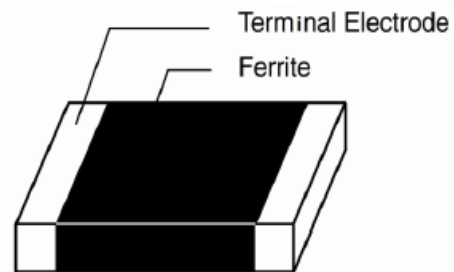
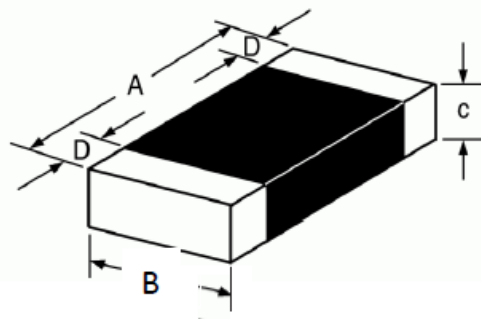
INTRODUCTION

Multilayer chip beads are SMD components which cover a wide impedance characteristic. Their impedance characteristic is mainly comprised of resistive components (R), so when an element is inserted in series with a noise conduction passage the noise content will be attenuated.

FEATURES

- These small size chips generating high impedance.
- Either flow or reflow soldering methods can be use due to electroplating of the terminal electrodes.
- High reliability due to entirely monolithic structure.
- Low DC resistance structure of electrode prevents wasteful electric power consumption.

DIMENSIONS



Unit : mm

TYPE	SIZE	A	B	C	D
CB100505	0402	1.0±0.10	0.5±0.1	0.5±0.10	0.2±0.1
CB160808	0603	1.6±0.25	0.8±0.2	0.8±0.15	0.3±0.2
CB201209	0805	2.0±0.25	1.2±0.2	0.9±0.20	0.5±0.3
CB321611	1206	3.2±0.25	1.6±0.2	1.1±0.3	0.5±0.3
CB321616	1206B	3.2±0.25	1.6±0.2	1.6±0.3	0.5±0.3
CB322513	1210	3.2±0.25	2.5±0.3	1.3±0.3	0.5±0.3
CB451616	1806	4.5±0.25	1.6±0.3	1.6±0.3	0.5±0.3
CB453215	1812	4.5±0.25	3.2±0.3	1.5±0.3	0.5±0.3

ORDERING CODE

CB 160808 — 121

